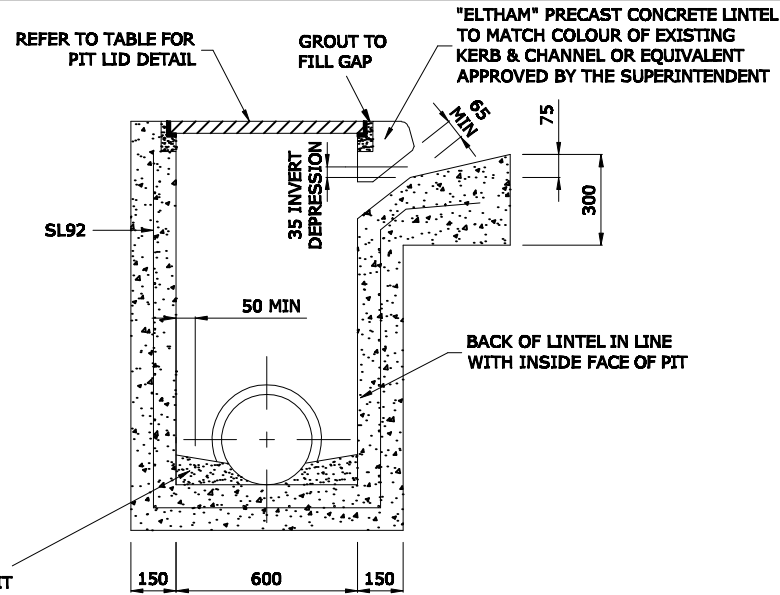
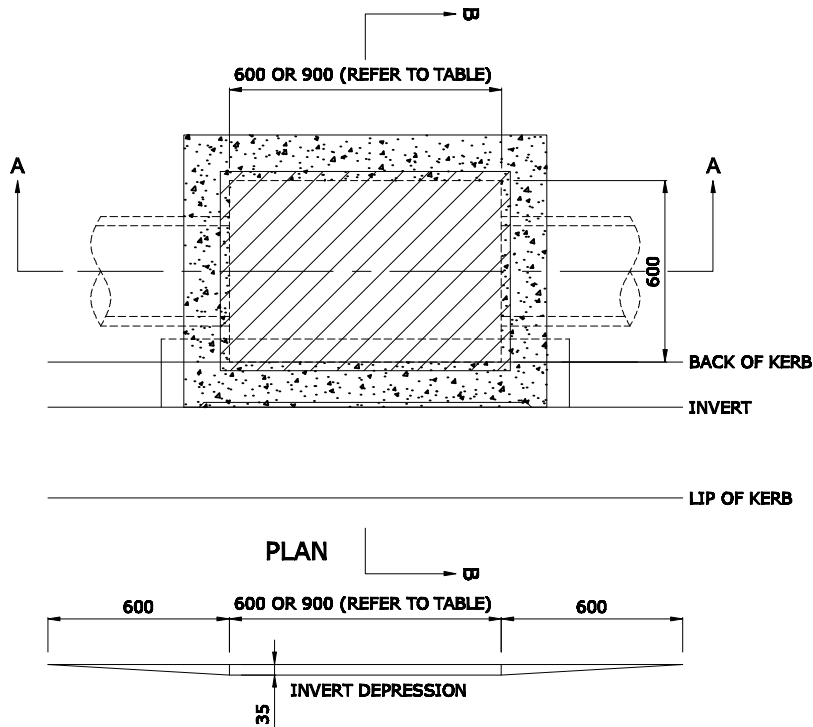


SECTION A-A



SECTION B-B

SHAPE INVERT OF PIT WITH MASS CONCRETE TO PROVIDE SMOOTH TRANSITION



**NOTES:**

1. USE SL92 REINFORCEMENT WITH 300MM MINIMUM LAP LENGTH AND CLEAR COVER OF 65MM. CORNER RETURN REINFORCEMENT MAY BE FABRIC OR EQUIVALENT BARS.
2. CONCRETE STRENGTH TO BE 32MPa AT 28 DAYS.
3. PITS LOCATED IN MARINE ENVIRONMENTS SHALL HAVE CONCRETE STRENGTH OF 40MPa AT 28 DAYS.
4. PITS DEEPER THAN 1000MM SHALL BE FITTED WITH STEP IRONS. REFER TO SD 2101.
5. MAXIMUM PIPE DIAMETER FOR THIS PIT IS 450MM.
6. MINIMUM FALL ACROSS PIT BASE TO BE 30MM.
7. FOR PITS DEEPER THAN 1200MM USE FABRIC SL918.
8. GROUT: 2 PARTS SAND, 1 PART CEMENT AND SUFFICIENT WATER TO PRODUCE MIX OF SUITABLE CONSISTENCY.

PIT DEPTH	PIT COVER	STEP IRONS
<=1000mm (PIT CLEAR OPENING 600 x 600)	CHARCOAL COLOURED TERRA FIRMA PIT LID OR EQUIVALENT APPROVED BY SUPERINTENDENT	NO
>1000mm (PIT CLEAR OPENING 900 x 600)	CHARCOAL COLOURED TERRA FIRMA PIT LID OR EQUIVALENT APPROVED BY SUPERINTENDENT	YES REFER TO SD 2101

NOTES:

F				
E	FINAL	AG	AN	21/02/13
D	FINAL	AG	AN	12/12/12
C	FINAL	TL	AN	05/07/11
B	FINAL	NP	AN	24/04/08
A	FINAL	AA	LL	26/11/96

No. Description: Drawn: Checked: Date: REVISIONS:

DRAWN: AG  
CHECKED: AN  
AUTHORISED: AN

DATE PLOTTED: DATE PLOTTED

SCALE: 1:25



DRAWING TITLE:

SIDE ENTRY  
PIT TYPE 1

DRG. No. SD 2102

REVISION:  
E