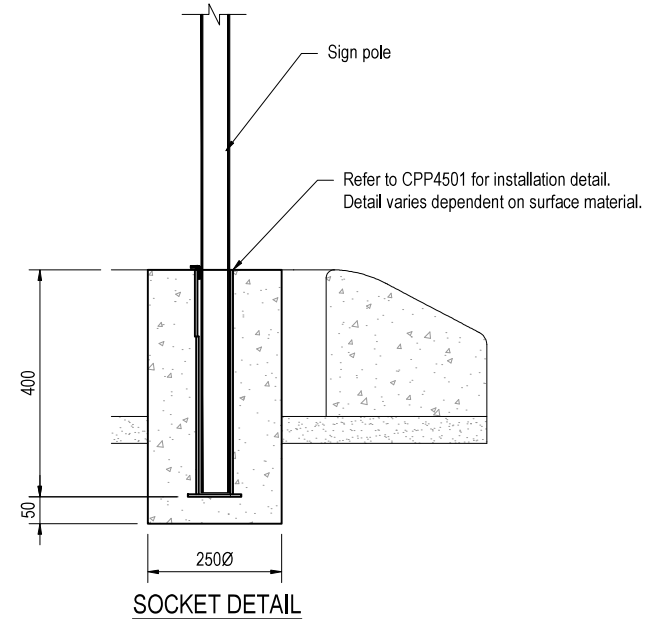


STANDARD STREET NAME BLADES



NOTES

1. Drawing in millimetres unless noted otherwise.
2. Where excavation will occur, contractor must conduct a Before You Dig Australia (www.1100.com.au).
3. Base material - extruded aluminium blade, De Neefe G5 or equivalent (150 mm high x maximum length of sign 900 mm).
4. Extruded aluminium blades must have >85% recycled content
5. The legend shall be 100mm high with Class C lettering (AS 1742-5 1997) unless the maximum length of sign would be exceeded. In such cases the lettering shall be Class B (AS 1742-5 1997)
6. A clear distance of 40mm shall be left free of legend on both sides of the sign at one and the same end
7. The legend shall be cut from 3m Electrocut film or equivalent standard green 1176 overlaid on Class 1 background. Screen printed overlays shall not be permitted.
8. The background shall be Class 1 white
9. The sign shall be attached to the pole using De Neefe AL1 6 brackets or equivalent. The use of brackets which grip the sign only at the top and bottom shall not be permitted
10. Signs to be located in accordance with AS (1742.5 1997).
11. Signs are not to be installed over existing drainage or underground utilities.
12. Recycle replaced aluminium signs at end of life.

A APPROVED FOR USE		FEB 2023
No	Revision	Date

Disclaimer:

The authors and sponsoring organisations shall have no liability or responsibility to the user or any other person or entity with respect to any liability, loss or damage caused or alleged to be caused, directly or indirectly, by the adoption and use of these Standard Drawings including, but not limited to, any interruption of service, loss of business or anticipatory profits, or consequential damages resulting from the use of these Standard Drawings. Persons must not rely on these Standard Drawings as the equivalent of or a substitute for, project-specific design and assessment by an appropriately-qualified professional.



DRAWING NOT TO SCALE		Drawing Title
Approved	Project Services	POLE SOCKET INSTALLATION DETAIL & STREET NAME PLATES
Date	FEB. 2023	Original Size A3 Drawing No: CPP4502
		Rev: A