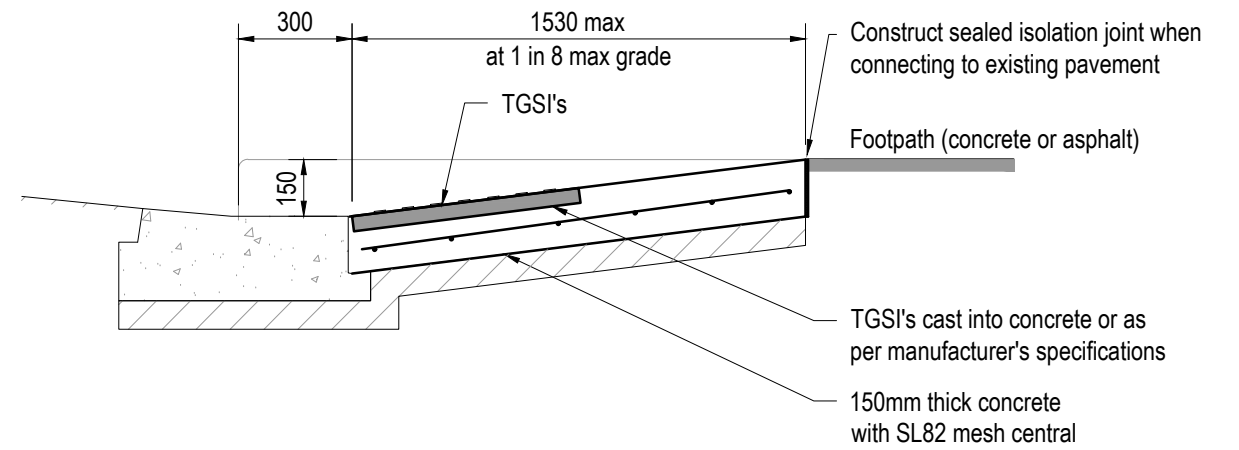


EIGEN FIBRETAC, ESP Surface Applied or equivalent approved by Council, on concrete base. Directional TGSIs are required if the distance (D) is greater than 3000mm between the building line and the top of the ramp or if the ramp is not aligned with the building line.

EIGEN FIBRETAC, ESP Surface Applied or equivalent approved by Council, on concrete base. Hazard TGSIs shall be installed perpendicular to the pedestrian line of travel.

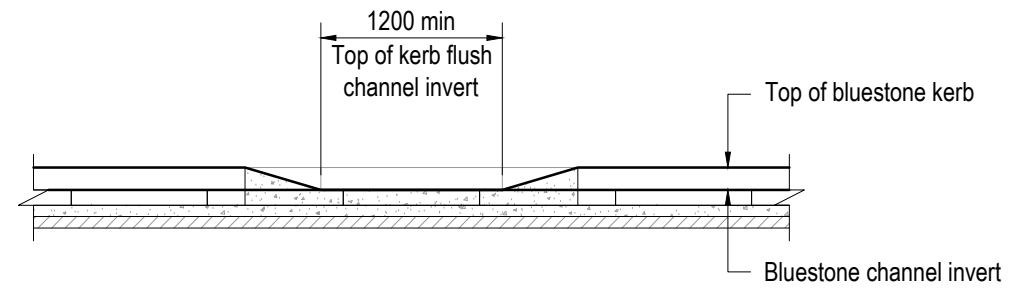
PLAN



A SECTION

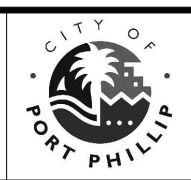
NOTES

1. Ensure that the design of all ramps and the provision of tactile ground surface indicators (TGSIs) are in accordance with: Australian Standard AS1428 (all applicable parts).
2. Concrete strength : 32MPa at 28 days
3. Concrete colour :
 - The colour of concrete is to be charcoal coloured unless otherwise specified by Council.
 - For charcoal coloured concrete use 10kg "Black Oxide" Bayer 318 per cubic metre concrete or equivalent approved by Council.
 - Concrete reinstatement must match the colour of the surrounding pavement. Approval of the colour must be obtained from Council prior to commencement of any concrete works.
4. Where concrete is required to be removed due to proposed works of any kind, the entire area between construction joints must be replaced in full.
5. All dimensions are in millimetres unless noted otherwise.



B SECTION

Disclaimer:
The authors and sponsoring organisations shall have no liability or responsibility to the user or any other person or entity with respect to any liability, loss or damage caused or alleged to be caused, directly or indirectly, by the adoption and use of these Standard Drawings including, but not limited to, any interruption of service, loss of business or anticipatory profits, or consequential damages resulting from the use of these Standard Drawings. Persons must not rely on these Standard Drawings as the equivalent of, or a substitute for, project-specific design and assessment by an appropriately qualified professional.



DRAWING NOT TO SCALE
Approved Project Services
Date Dec. 2020

Drawing Title CONCRETE ACCESS RAMP
BLUESTONE PITCHER KERB CHANNEL
Original Size A3 Drawing No: CPP1403
Rev: A

A	APPROVED FOR USE	DEC 2020
No	Revision	Date