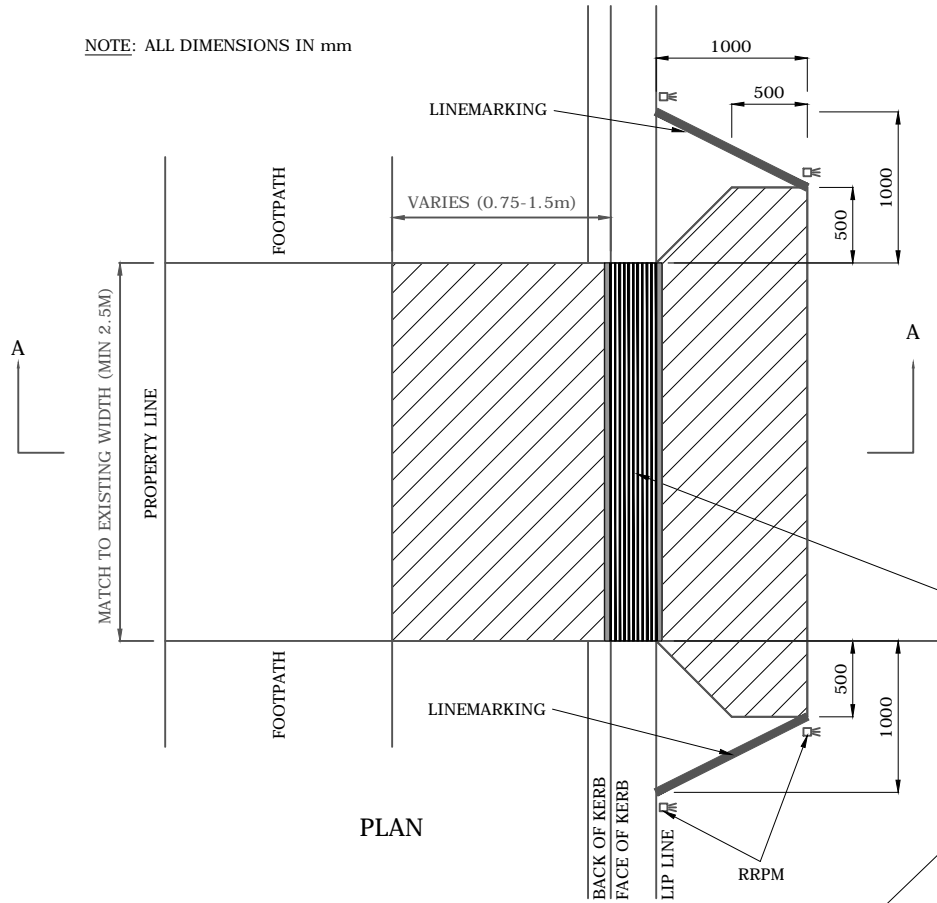
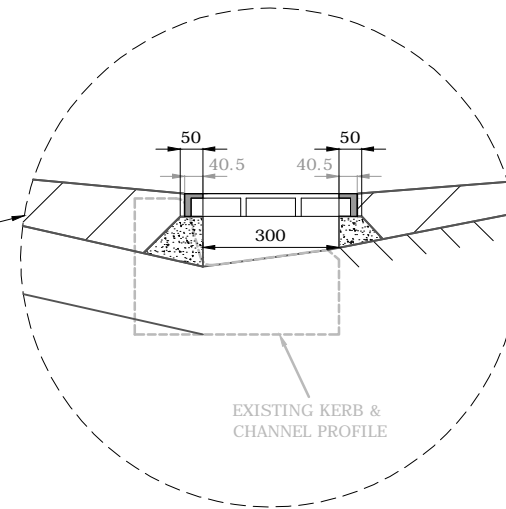
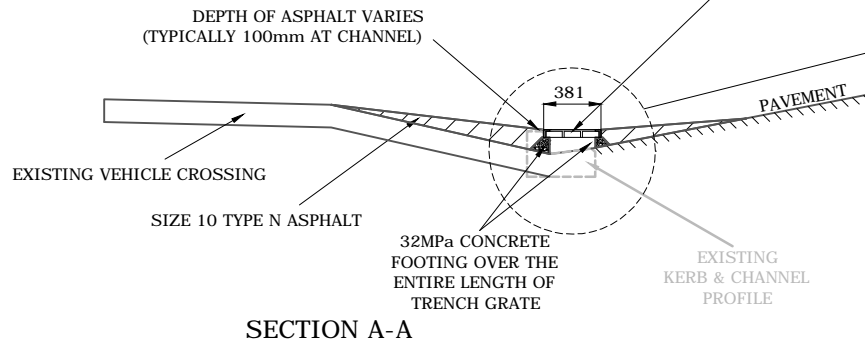


NOTE: ALL DIMENSIONS IN mm



TRENCH GRATE: USE R&S TG-H-CG-300L CLASS D GALVANISED LONGITUDINAL BAR TRENCH GRATE. MUST BE APPROVED BY COUNCIL SUPERINTENDENT;

NOTE: TOP OF TRENCH GRATE IS TO BE LEVEL WITH TOP OF KERB



NOTES:

F				
E				
D	FINAL	MDH	AN	17/07/14
C	FINAL	NP	AN	16/10/13
B	FINAL	AG	AN	15/07/13
A	FINAL	NP	AN	21/06/12

No. Description: Drawn: Checked: Date: REVISIONS:

DRAWN:	NP
CHECKED:	AN
AUTHORISED:	AN

DATE PLOTTED: DATE PLOTTED
SCALE: 1:50



DRAWING TITLE:
STEEP VEHICLE
CROSSING TREATMENT
(RESIDENTIAL USE ONLY)

DRG. No.	SD 4107	REVISION:	D
----------	---------	-----------	---