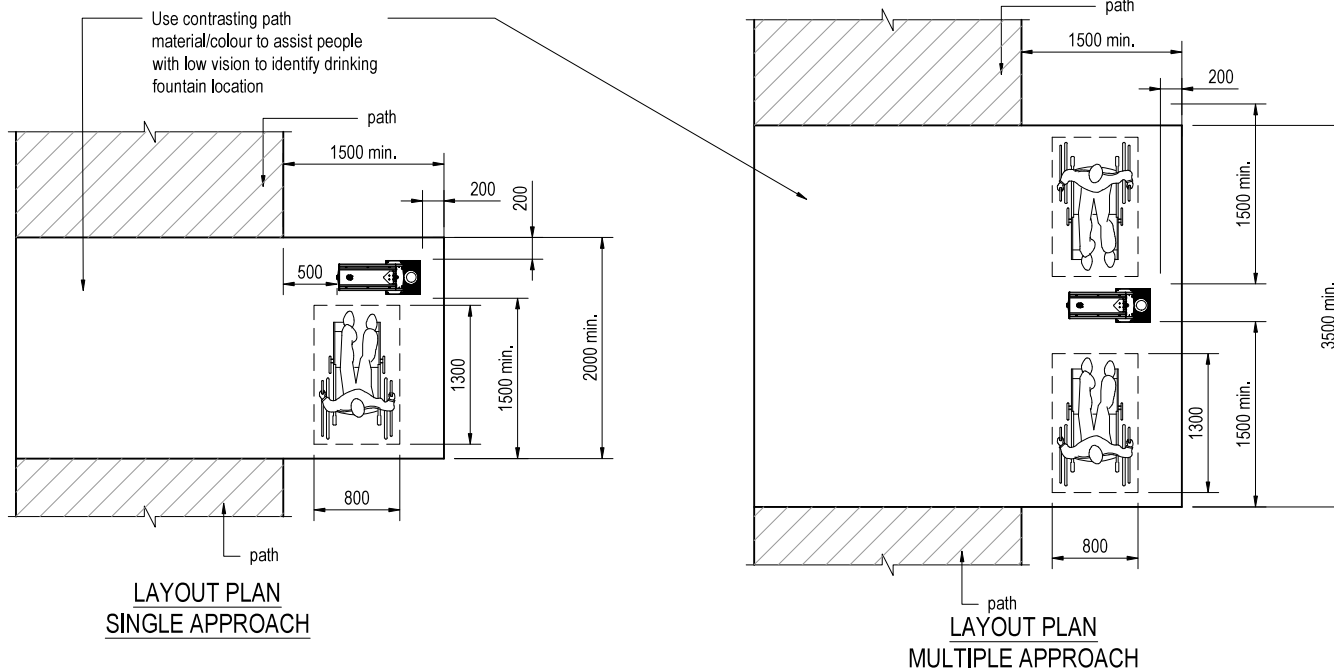


SIGN PANEL

NOTES

1. Drawing in millimetres unless noted otherwise.
2. Where excavation will occur, contractor must conduct a Before You Dig Australia ([www.1100.com.au](http://www.1100.com.au)).
3. Drink Fountains must be installed by a qualified plumber in accordance with National plumbing and drainage code AS/NZS 3500.1 and AS/NZS 3500.2 and any local authority codes.
4. Allow for waste outlet and water inlet through the slab
5. Design for Accessible Drinking Fountain to be a robust and compliant with disability access code AS1428



No	Revision	Date
A	APPROVED FOR USE	FEB 2023

Disclaimer:

The authors and sponsoring organisations shall have no liability or responsibility to the user or any other person or entity with respect to any liability, loss or damage caused or alleged to be caused, directly or indirectly, by the adoption and use of these Standard Drawings including, but not limited to, any interruption of service, loss of business or anticipatory profits, or consequential damages resulting from the use of these Standard Drawings. Persons must not rely on these Standard Drawings as the equivalent of or a substitute for, project-specific design and assessment by an appropriately-qualified professional.



DRAWING NOT TO SCALE		Drawing Title	DRINKING FOUNTAIN
Approved	Project Services	Original Size	A3
Date	FEB. 2023	Drawing No:	CPP4504
			Rev: A