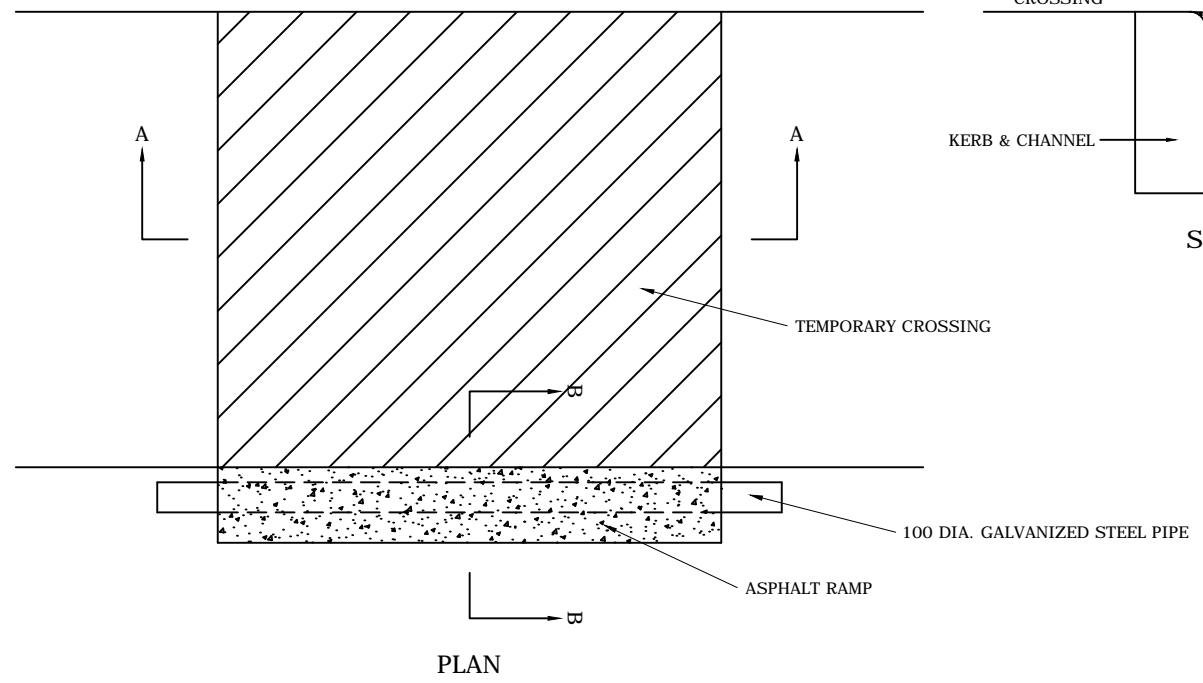
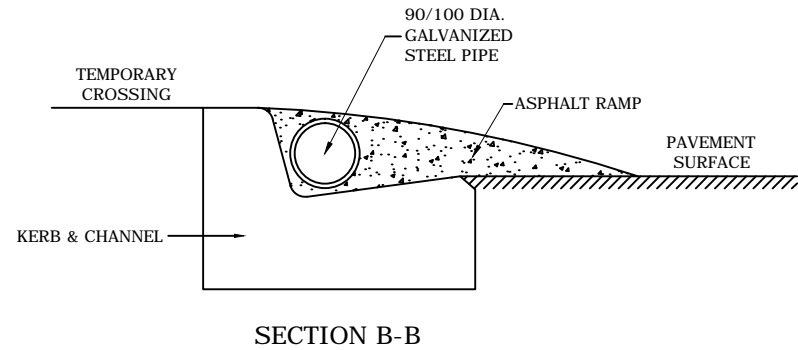


- NOTES:
1. TEMPORARY CROSSING OF TIMBER CONSTRUCTION, TO BE INSTALLED, MAXIMUM DURATION SIX (6) WEEKS.
  2. TEMPORARY CROSSINGS IN EXCESS OF SIX (6) WEEKS TO BE OF SEMI-PERMANENT CONSTRUCTION.
  3. OTHER ARRANGEMENTS, AS AGREED WITH COUNCIL REPRESENTATIVE.



NOTES:

|   |       |     |    |          |
|---|-------|-----|----|----------|
| F |       |     |    |          |
| E |       |     |    |          |
| D |       |     |    |          |
| C | FINAL | MDH | AN | 17/07/14 |
| B | FINAL | NP  | AN | 24/04/08 |
| A | FINAL | AA  | LL | 26/11/06 |

No. Description: Drawn: Checked: Date:

REVISIONS:

DRAWN: NP  
 CHECKED: AN  
 AUTHORISED: AN

DATE PLOTTED: DATE PLOTTED  
 SCALE: 1:25



DRAWING TITLE:  
 TEMPORARY CROSSING

DRG. No. SD 4104 REVISION: C