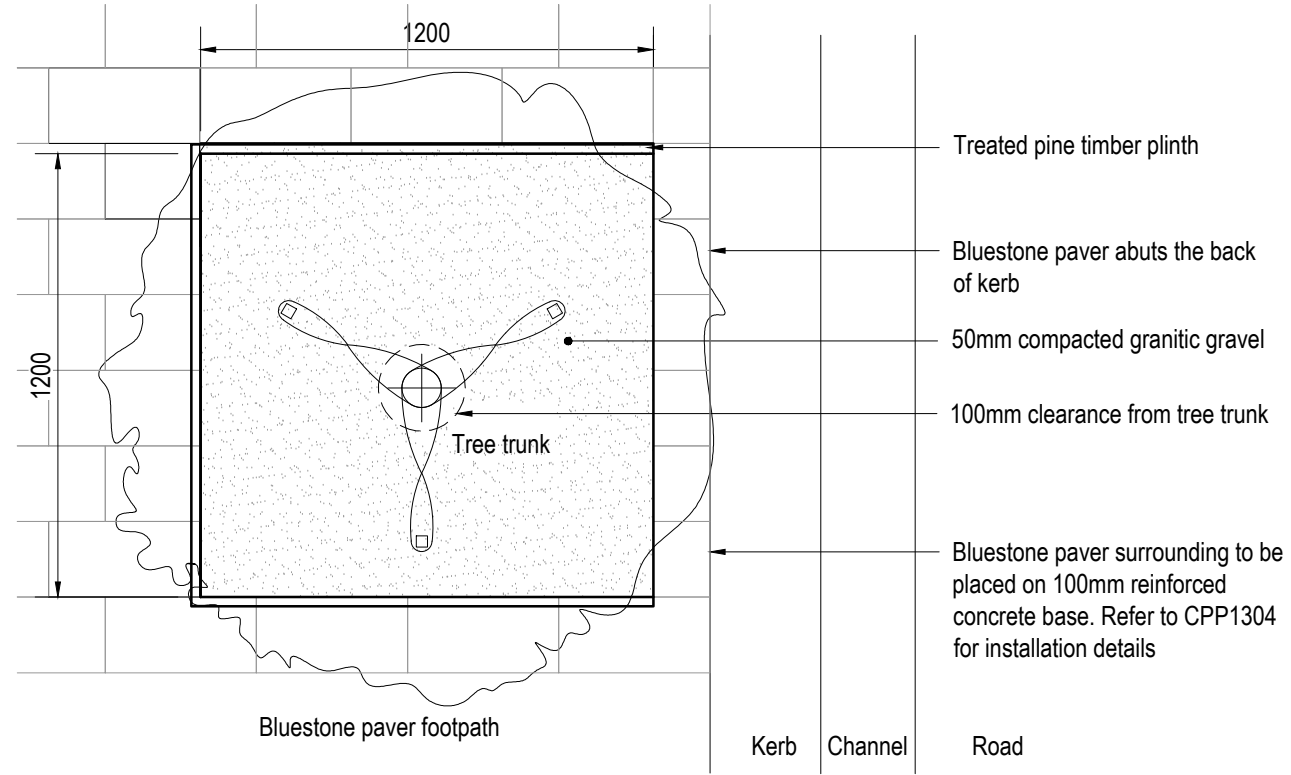
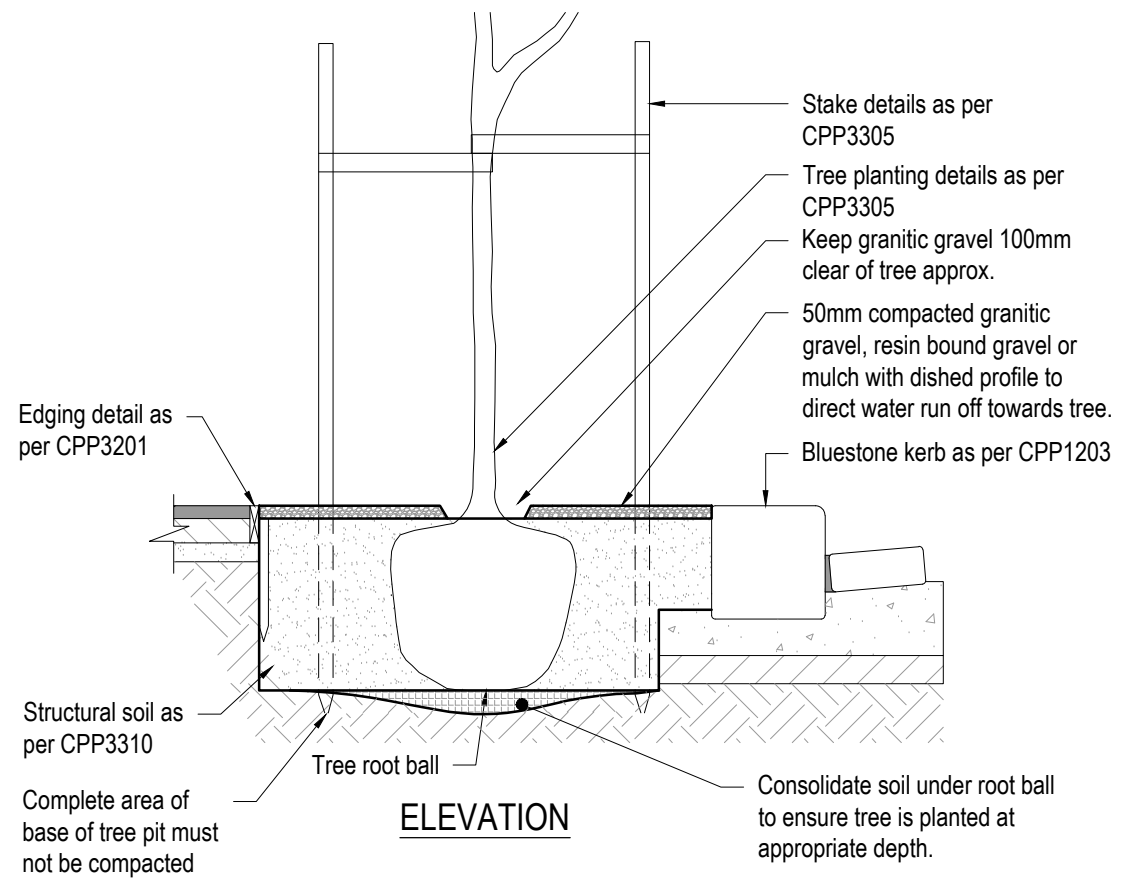


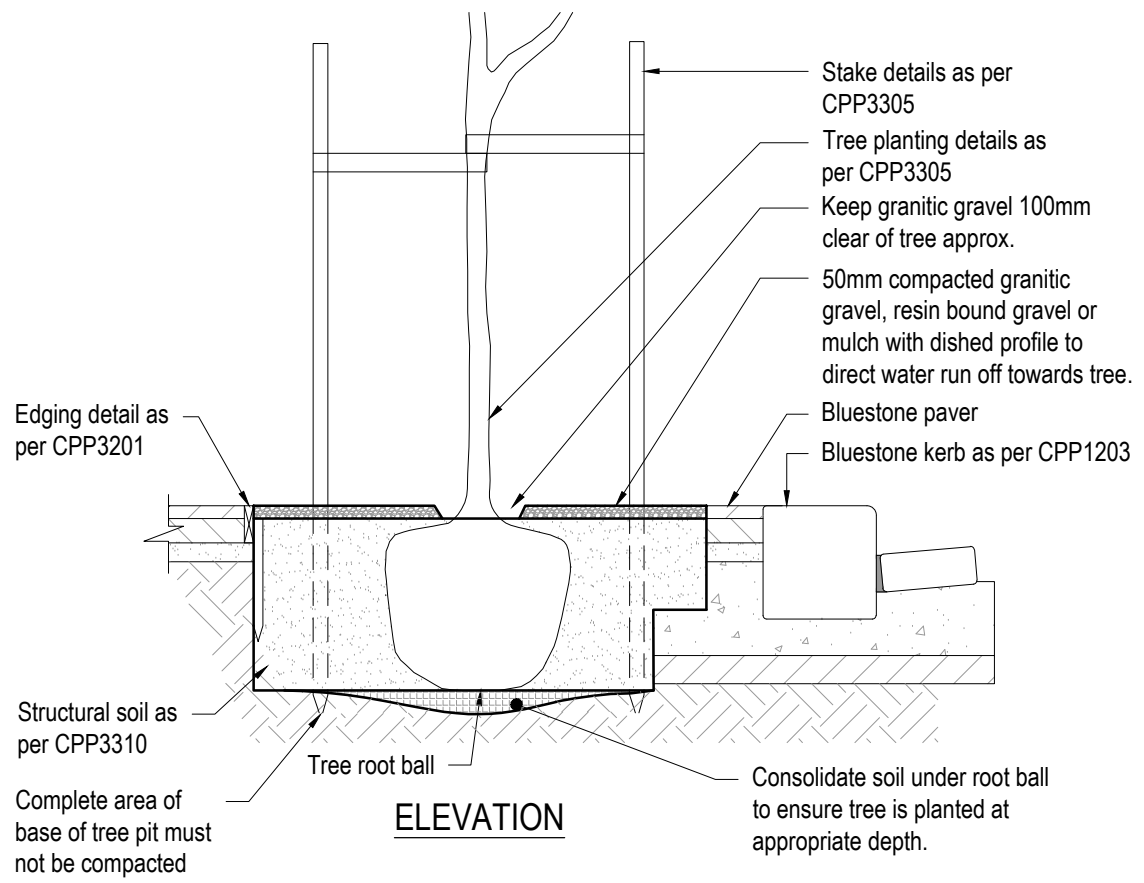
TREE PIT IN ASPHALT PAVING PLAN



TREE PIT IN UNIT PAVING PLAN



ELEVATION



ELEVATION

NOTES:

1. Drawing in millimetres unless noted otherwise.
2. The surface treatment of the tree pit can be 50mm of compacted granitic gravel or permeable pebble mix paving 'spring rockpave' (or equal approved). The preferred treatment for tree pits particularly in high use areas is permeable mix.
3. Tree pit sizes vary to suit site conditions:
 - Minimum size : 1200mm x 1200mm
 - Preferred size : 1500mm x 1500mm
 - Large size : 2000mm x 2000mm
4. Where excavation will occur, contractor must conduct a Dial Before You Dig (www.1100.com.au).

Disclaimer:

The authors and sponsoring organisations shall have no liability or responsibility to the user or any other person or entity with respect to any liability, loss or damage caused or alleged to be caused, directly or indirectly, by the adoption and use of these Standard Drawings including, but not limited to, any interruption of service, loss of business or anticipatory profits, or consequential damages resulting from the use of these Standard Drawings. Persons must not rely on these Standard Drawings as the equivalent of, or a substitute for, project-specific design and assessment by an appropriately qualified professional.



A APPROVED FOR USE		DEC 2020
No	Revision	Date

DRAWING NOT TO SCALE		Drawing Title TREE PIT IN PAVED AREA
Approved	Project Services	
Date	Dec. 2020	Original Size A3 Drawing No: CPP3301
		Rev: A