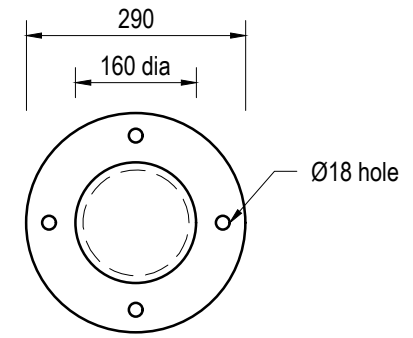
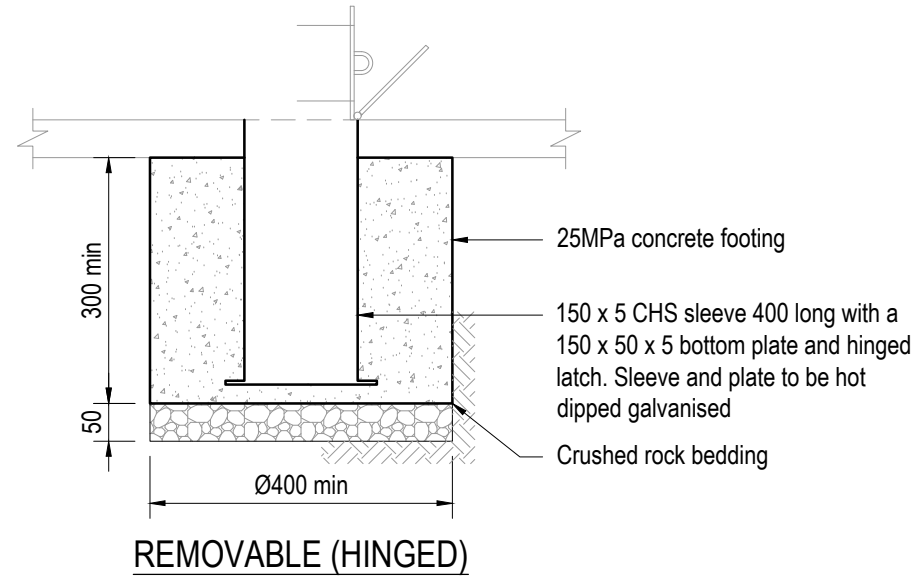
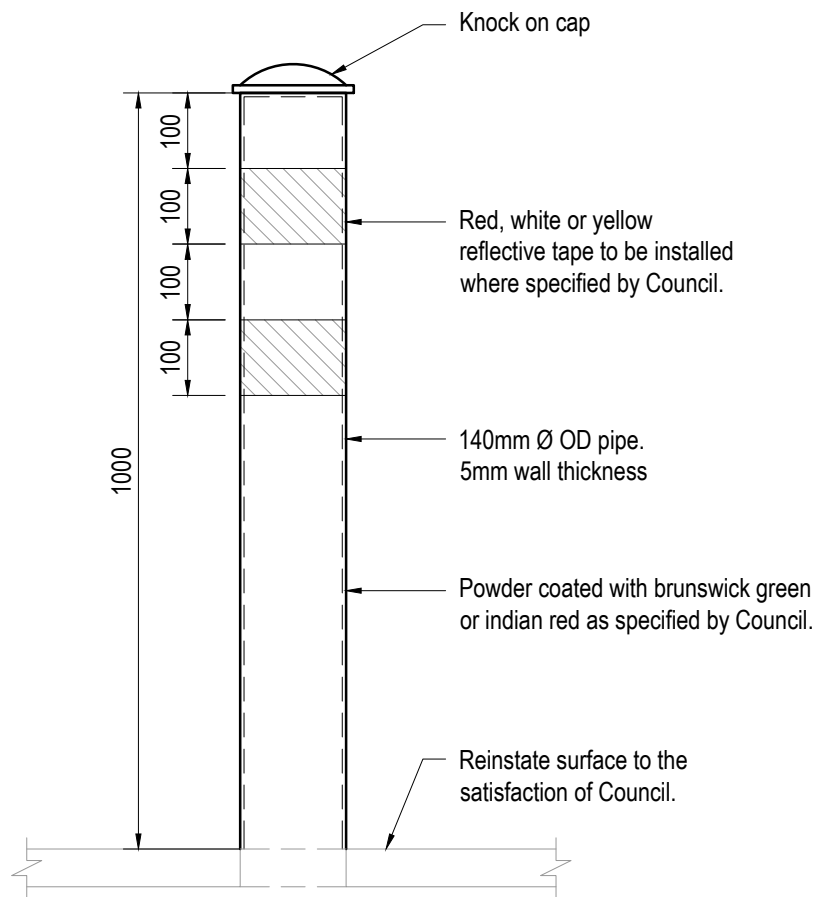


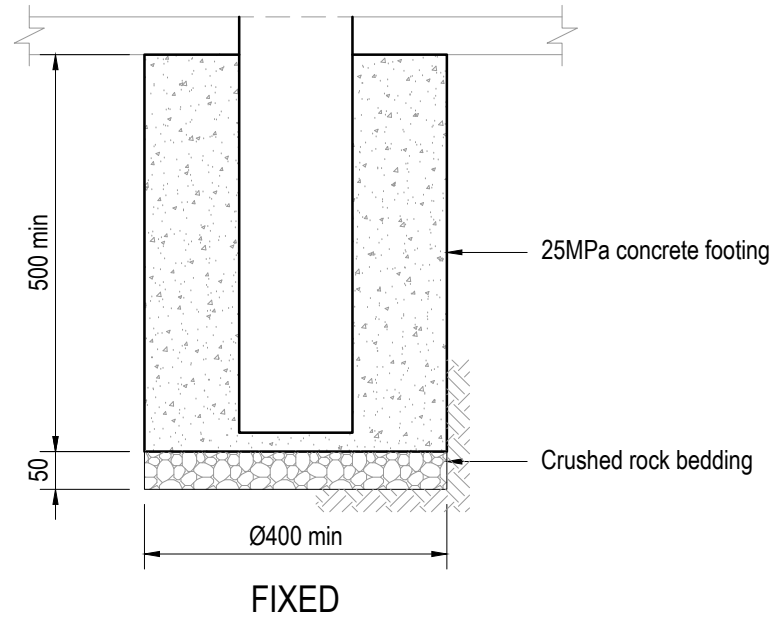
TOP VIEW



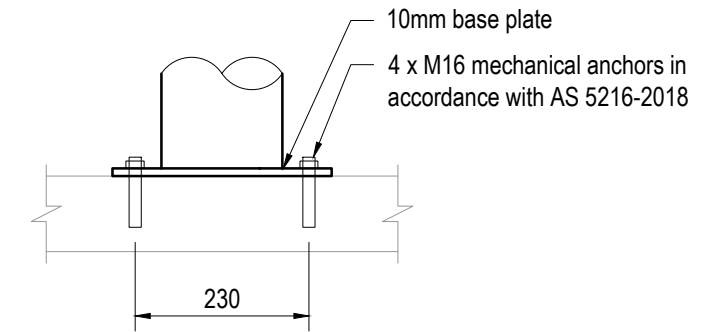
TOP VIEW



POST



FIXED



SURFACE MOUNTED BOLT DOWN

**NOTES**

1. Drawing in millimetres unless noted otherwise.
2. Pole material to be substituted for stainless steel where advised.
3. Bollard to be filled with concrete where specified by Council.
4. Council to specify the type of footing for the steel bollard.
5. A Dial Before You Dig (DBYD) must be conducted where excavation is required.

A APPROVED FOR USE		DEC 2020
No	Revision	Date

**Disclaimer:**  
The authors and sponsoring organisations shall have no liability or responsibility to the user or any other person or entity with respect to any liability, loss or damage caused or alleged to be caused, directly or indirectly, by the adoption and use of these Standard Drawings including, but not limited to, any interruption of service, loss of business or anticipatory profits, or consequential damages resulting from the use of these Standard Drawings. Persons must not rely on these Standard Drawings as the equivalent of, or a substitute for, project-specific design and assessment by an appropriately qualified professional.



DRAWING NOT TO SCALE		Drawing Title	STEEL BOLLARD
Approved	Project Services	Original Size	A3
Date	Dec. 2020	Drawing No:	CPP3512
			Rev: A